

## ZP755W-2R

### Addressable weatherproof sounder

#### Developed for outdoor applications

The ZP755W-R is an addressable, weatherproof sounder, designed for use on ZP analogue addressable fire detection and alarm systems. The sounder has been developed for outdoor applications, or for use in areas where the ingress of water can be expected, for example where hygiene requirements demand regular washing or hosing down of the protected area.

Installed directly onto and powered by the ZP wiring loop, the ZP755 range enables the system designer to offer a complete ZP analogue addressable system on a single pair of wires. Installation costs are greatly reduced, whilst system integrity, sounder options and programmed alarm organisation are significantly increased.

#### Self test facility

The unit's high efficiency acoustic design, together with a low energy, 'sound gun' transducer, provides a forward sound dispersion with an output of 105 dBA. A volume control is included for areas where a reduced sound output is required. The control can be set to limit the sound output by up to 75% of the full volume.

The ZP755 range features a unique self test facility - automatically activated during routine sounder testing. A built in microphone circuit measures sound output level and automatically signals the sounder address and location to the control panel, should volume fall below the expected test level.

#### Range of sound outputs

In systems where loop lengths or current requirements are excessive, ZP755 sounders can be powered directly from an external power supply. All ZP755 sounders incorporate switch settings enabling them to be assigned a unique address, which is polled by the panel every two seconds. Continuous, intermittent and two-tone outputs are available, from which any combination can be chosen to provide alert and evacuate, two stage alarms. All sound types comply with BS 5839 Part 1 recommended frequencies.

Sounder enclosures are of moulded, high impact, red thermoplastic, designed for surface wiring.



#### Standard Features

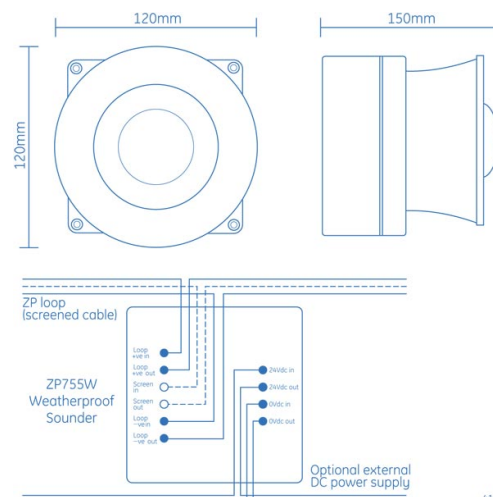
- Rated IP65
- 105 dBA sound output
- Microphone self test facility
- High efficiency sound gun transducer

### Specifications

Model No	ZP755W-R
Specification	EN54 Part 3
Description	Addressable weatherproof sounder, red
Compatibility	ZP3 systems, note - sound options may vary for ZP5 and ZP3 systems with early software versions
Mounting	Surface mounting
Wiring	2 core wiring
Monitoring	Open and short circuit fault, sound level - self test facility
Sound output	105dBA (at 1m)
Sound types	Tone 1 - continuous 980Hz Tone 2 - intermittent 980Hz - intermittent 980Hz (0.5 secs on/off) Tone 3 - warble 980Hz/670Hz
Operating voltage	16 - 24Vdc
Current	600uA quiescent, 5.0mA active
Max number	85 per 1km loop (1.5mm <sup>2</sup> cable, 50 m to the first device)
Application	Outdoor or indoor installation
Temperature range	-10°C to +70°C
Humidity range	10% to 95% RH (non condensing)
EMC	CE marked (EEC89/336)
Material	Moulded thermoplastic
Dimensions	120 mm (W) x 120 mm (H) x 150 mm (D)
Colour	Red
Weight	300g
Publication No	PS1306

### Ordering Information

Part No.	Description
ZP755W-2R	Addressable weatherproof sounder



4162-01