

## ZP755B-2P

### ZP7 Series Addressable Detector Base Sounder - POLAR WHITE

#### General

The ZP755B-2P POLAR WHITE base sounder combines a detector base and audible sounder in a single stylish moulding. The unit provides an elegant solution for areas where the installation of a separate detector and sounder would prove expensive, both in equipment capital value and system wiring costs. Installation time is further reduced as the moulding plugs directly onto a first fix base eliminating the need for any internal connections.

The ZP755B-2P is perfectly suited for any location involving multiple alarm sounders, for example hotel bedrooms and risk areas comprising many small compartments.

Independent addressing for the detector and alarm facility is featured, with sound levels conforming to EN54 Part 3.



#### Advanced acoustic design

High efficiency acoustic design and a low energy sound gun transducer enable up to 60 sensors with sounder bases to be connected to a 1 km loop of 1.5mm<sup>2</sup> cable, with a wiring run of 50 metres to the first device. In systems where loop lengths or current requirements are excessive, the sounder base can be powered directly from an external power supply.

#### Microphone output test

The ZP755 range features a unique self test facility that is automatically activated during routine sounder testing. A built in microphone circuit measures sound output level and automatically signals the sounder address to the control panel, should the output test fail.

Continuous, intermittent and two-tone audible outputs are available from which any combination can be chosen to provide alert and evacuate, two stage alarms. Sound types comply with most international codes (e.g. BS 5839 Part 1 recommended frequencies).

#### Standard Features

- Detector and sounder from a single wiring point – minimising installation costs
- Powered directly from the ZP loop
- Up to 60 detectors with sounders directly on the loop
- Separate addresses selectable for detector and sounder
- High efficiency sound gun transducer
- Compatible with all ZP loop devices
- Wide range of international sound types and frequencies



# ZP755B-2P

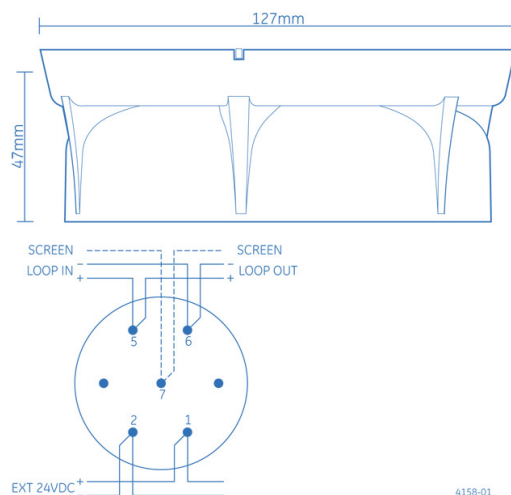
## ZP7 Series Addressable Detector Base Sounder - POLAR WHITE

### Specifications

Model No	ZP755B-2P
Specification	EN54 Part 3
Description	Addressable detector base sounder
Compatibility	All ZP systems Note: Sound options may vary for ZP5 and ZP3 systems with early software versions.
Mounting	Surface with plug in base - SPB-2P (Polar White)
Wiring	2 core loop
Monitoring	Open and short circuit fault, sound level - self test facility
Sound output	90 dBA
Sound types	Continuous - 980 Hz, intermittent - 980 Hz 0.5 secs on/off, dual tone - 980/670 Hz 0.5 secs each. See installation sheet for full international tone range
Operating voltage	Loop 19.5 - 20.5V, external supply 18 - 30 VDC
Current	820uA quiescent, 4.5mA active
Max number	60 per 1km loop (1.5mm <sup>2</sup> cable, 50m to first device)
Application	Indoor installation
EN60529 rating	IP21C
Temperature range	-10°C to 60°C
Humidity range	10% to 95% RH (non condensing)
EMC	CPD compliant
Material	Moulded thermoplastic
Dimensions (dia x h)	127mm x 69mm
Colour	Polar White
Weight	210g (including base)

### Ordering Information

Part No.	Description
ZP755B-2P	ZP7 Series Addressable Detector Base Sounder - POLAR WHITE
SPB-2P	Pluggable Base for ZP755 Series Notification Devices - POLAR WHITE



4158-01